



Dresser Dismantling Joints are available in a variety of coatings to suit operating and environmental conditions, and gasket compounds are selected for compatibility with line content, with the standard gasket available in Grade 27 Buna S.



Técnica Hansa - Marchant Pereira 540 Providencia
Santiago, Chile. Teléfono: (+56 2) 2204 5348

Style 131 Dismantling Joint

The **Dresser Style 131 Dismantling Joint** is a double-ended flanged adapter that allows for longitudinal adjustment in piping systems where flanged end pipe is the standard. This product will provide the maximum in flexibility when installing and maintaining flanged end pipe interfaces with check valves, gate valves, ball valves, pumps, blowers, meters, engines, compressors, various fittings and appurtenances.

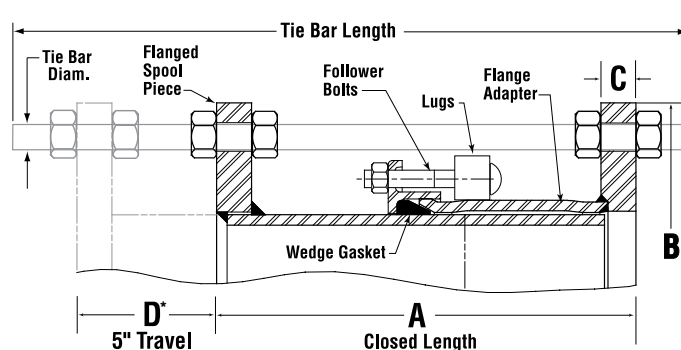
A typical dismantling joint would be used anywhere that a flanged end piping accessory, such as a valve or pump, requires quick installation or removal. The product eliminates the need to drop an inlet or discharge pipe leg normally associated with flanged end pipe. It also allows for up to 2 degrees of misalignment, and can be designed to provide from 2" to 20" of longitudinal adjustment to the pipe ends.

This longitudinal adjustment, provided by a telescoping flanged spool piece, can be limited with the addition of tie rods, which are integral with the joint. As a consequence of this flexibility, center to center dimensions become less critical to the installer and installation time is reduced considerably.

Dresser Dismantling Joints are available in diameters ranging from 4" through 24" in standard designs, and through 96" in diameter for custom-engineered designs. Fabricated in either carbon steel or stainless steel, standard design features flanges supplied to AWWA specification C-207 with a maximum working pressure of 150 PSI. Flanges manufactured to other U.S. and international standards and higher pressure ratings available upon request.

Materials of Construction

Spool Piece: Steel - AISI C1010-C1015
Flange Adapter: Steel - AISI C1010-C1015
Tie Rods (2) (Optional): Steel - ASTM A193 Grade B7
Nuts: ASTM A194 Grade 2H
Gasket: Grade 27 BUNA S
Coatings: Fusion-Bonded Epoxy. Optional Dresser Shopcoat



*D - Standard 5" Travel. Others available upon request.

Style 131 Dismantling Joint - Dimension Specifications 4" through 24"

Nominal Size	Closed Length (A)	Tie Rod (Optional)		Min. Flange Thickness (C)	Flange O.D. (B)	Nominal Size	Closed Length (A)	Tie Rod (Optional)		Min. Flange Thickness (C)	Flange O.D. (B)
		Diam.	Length					Diam.	Length		
4"	12-3/8"	5/8"	22"	5/8"	9"	14"	14"	1"	26"	15/16"	21"
5"	12-3/8"	5/8"	22"	5/8"	10"	16"	14-1/8"	1"	26"	1"	23-1/2"
6"	12-3/4"	3/4"	24"	11/16"	11"	18"	14-1/2"	1-1/8"	26"	1-1/16"	25"
8"	12-3/4"	3/4"	24"	11/16"	13-1/2"	20"	14-5/8"	1-1/8"	26"	1-1/18"	27-1/2"
10"	13-1/4"	7/8"	24"	11/16"	16"	24"	15-1/8"	1-1/4"	28"	1-1/4"	32"
12"	13-3/8"	7/8"	24"	13/16"	19"						

NOTE 1: Tie rods are designed for 150 PSI Maximum Working Pressure. (Tie rods are optional by request)

NOTE 2: Other types and larger sizes available on request. (e.g. ANSI 150# and 300#)